

TRUE BALANCE

A.B.N 76 607 491 758

Postal address: 4/5 Supertron Court, Laverton North, Vic 3026

Phone: 1300 214 456

Email: admin@truebalance.com.au

X2

**Scissor Parking Equipment
Complies to AS 5124 : 2017**

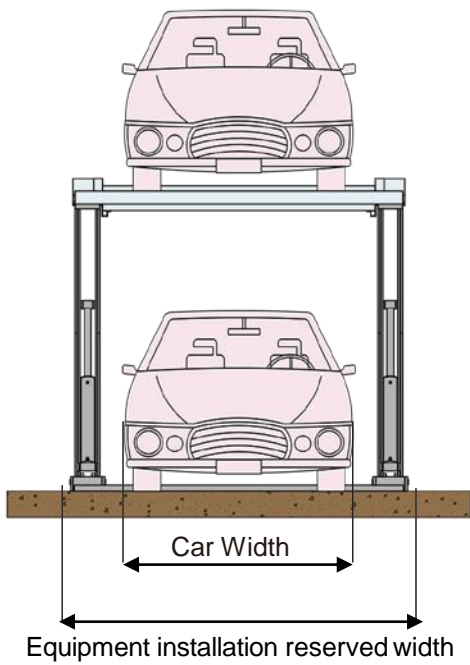


X2 Scissor Parking Equipment

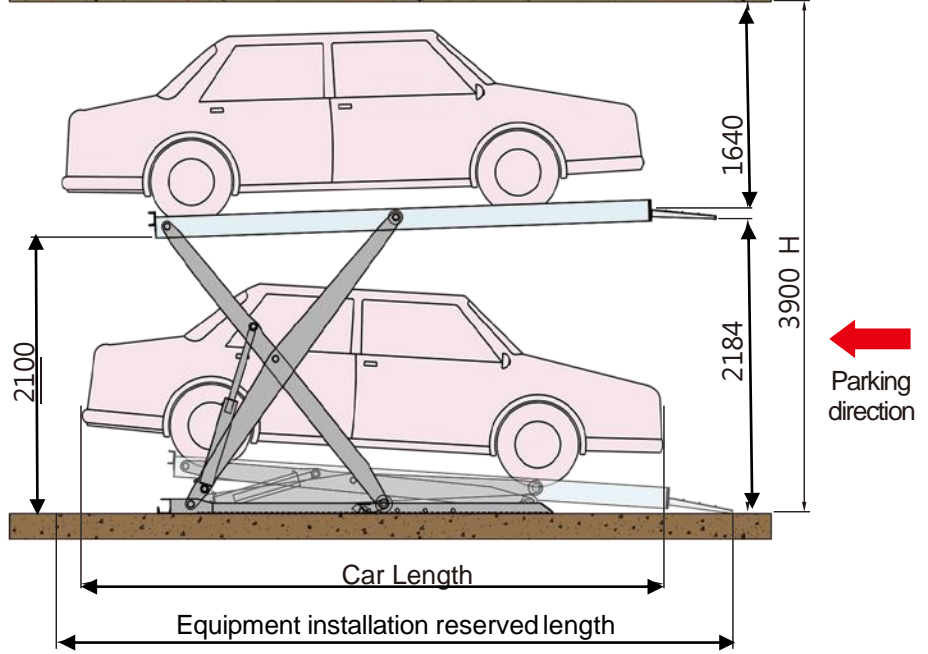
Introduction

- Two car spaces in the real estate of one
- Quick and convenient install
- Quick and convenient operation with good vehicle access.
- Can be used in indoor and outdoor applications





Front View



Side View

Specifications

Name			X2	
Type			Above-ground, two-high lift	
Classification			Upper layer	Under layer
Maximum Car dimensions	Width	(mm)	1870	1870
	Length	(mm)	5200	5200
	Height	(mm)	1550	2050
	Weight of platform (kg)		2722	-
Equipment installation reserved width			$\cong 2620 W$ (mm)	
Equipment installation reserved length			$\cong 5500 L$ (mm)	
Overall height limit under the beams			$\cong 3900 H$ (mm)	
Lifting speed			3 M/min	
Installation			TBC	
Drive mode			Hydraulic cylinder drive	
Operation method			Press button	
Parking method			Reverse parking	

Safety Devices

Platform anti-drop device

Hooks when the platform plate rises to the parking position to prevent the platform from falling.

Gravity detection mechanism

Ensures underside of machine is free from vehicle or person prior to lowering.

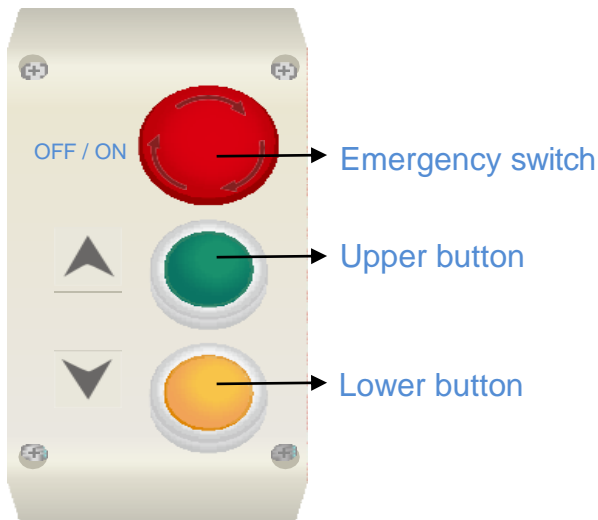
Oil supply mechanism

Hydraulic flow divider valve as standard to ensure even hydraulic lift from both hydraulic cylinders.

Keypad

Press the upper or lower button to raise or lower the platform.

The button must be held to keep raising or lowering the platform.



Surface treatment

Structure: Powder Coating / Hot Dip Galvanizing

Platform: Powder Coating / Hot Dip Galvanizing

Corrugated steel sheet: Galvanized steel plate

Standard paint color



- The printed and actual colors may be slightly different.
- Other colors are available upon request.