

MSL1

**Cantilever Motor & Chain Parking Equipment
Complies to AS 5124:2017**



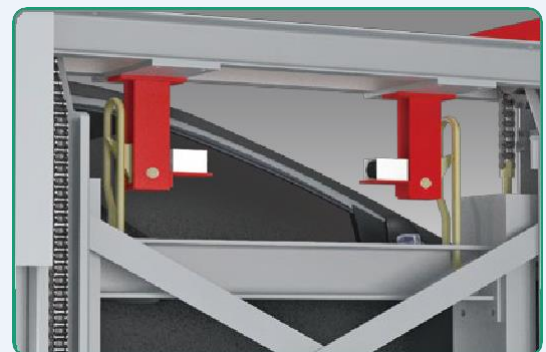
Introduction

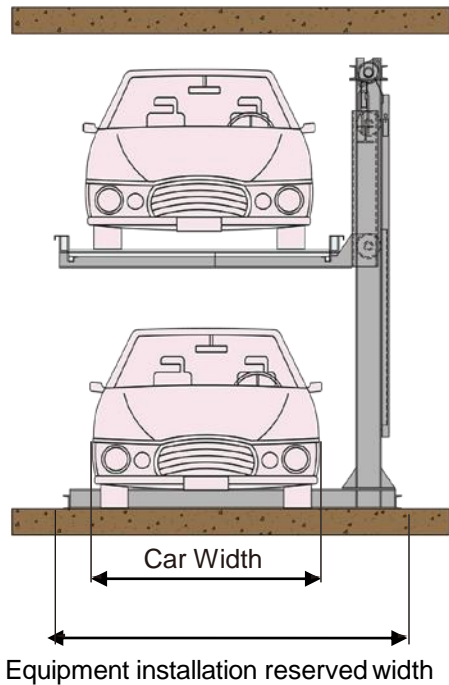
- This machine can be arranged according to the combination of terrain and space giving optimum space saving.
- Convenient, safe and easy access to vehicle.
- Can be utilized with internal or external environments



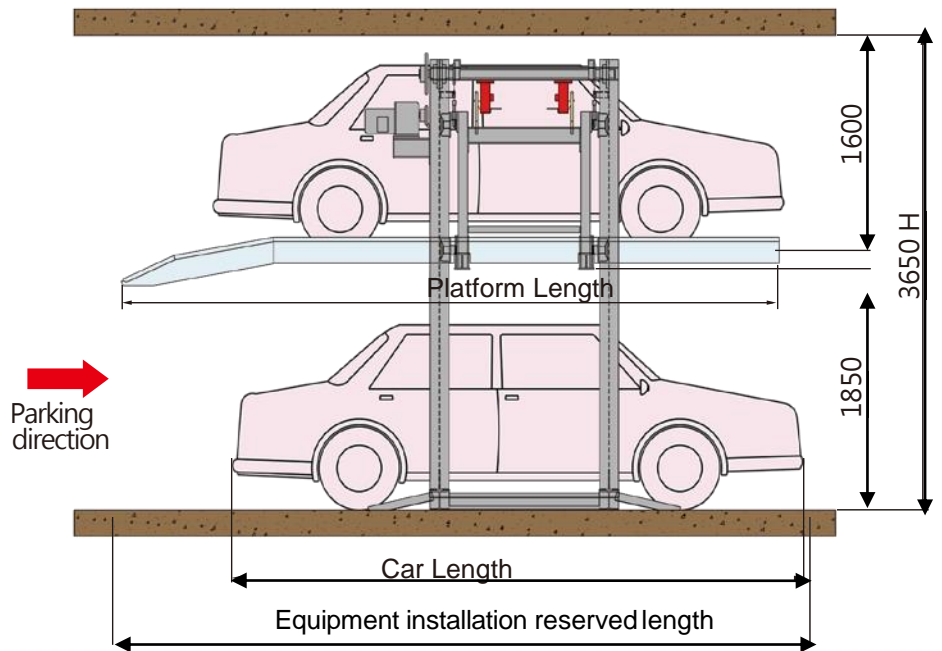
1 Lift platform

2 Safety hook prevents the platform from falling





Front View



Side View

Specifications

Name		MSL1		
Type		Above-ground, two-high lift		
Classification		Upper layer	Under layer	
Maximum Car dimensions	Width	(mm)	1800	1800
	Length	(mm)	5200	5200
	Height	(mm)	1550	1800
	Weight of platform (kg)		2722	-
Equipment installation reserved width		$\geq 2710 W$ (mm)		
Equipment installation reserved length		$\geq 5500 L$ (mm)		
Overall height limit under the beams		$\geq 3650 H$ (mm)		
Lifting speed		3 M/min		
Installation		TBC		
Drive mode		Motor and chain		
Operation method		Press button		
Parking method		Head-in parking		

Safety Devices



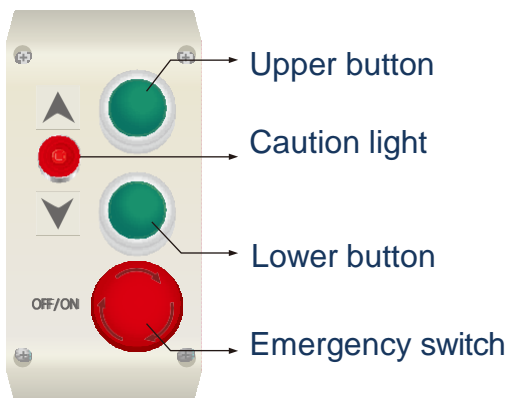
Emergency Stop Switch	In case of emergency or malfunction, the emergency stop button can be pressed to immediately stop the machine.	Upper/Lower limit switch	Controls the positioning of the lifting platform accurately to prevent the lifting stroke from exceeding the limit.
Alarm	If the machine goes into fault, the alarm will sound.	Vehicle positioning device	Limits the parking position of the vehicle to prevent the parking length from exceeding the capacity of the equipment.
Overcurrent protection device	Automatic motor shut down to prevent machine overload.	Loose safety chain warning sensor	In the event of a power interruption, the platform will automatically stop, preventing platform from lowering.
Hinged switch	Load chain sensors to sense correct operation during lifting and lowering process		

Keypad



Press the upper or lower button to raise or lower the platform.

The button must be held to keep raising or lowering the platform.



Surface treatment



Structure: Powder Coating / Hot Dip Galvanizing

Platform: Powder Coating / Hot Dip Galvanizing

Corrugated steel sheet: Galvanized steel plate

Standard paint color



- The printed and actual colors may be slightly different.
- Other colors are available upon request.